

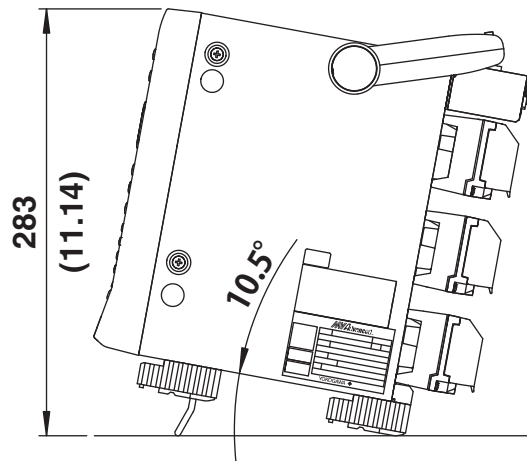
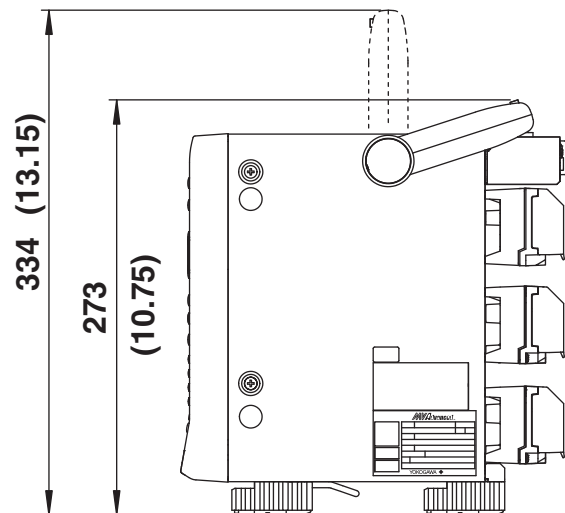
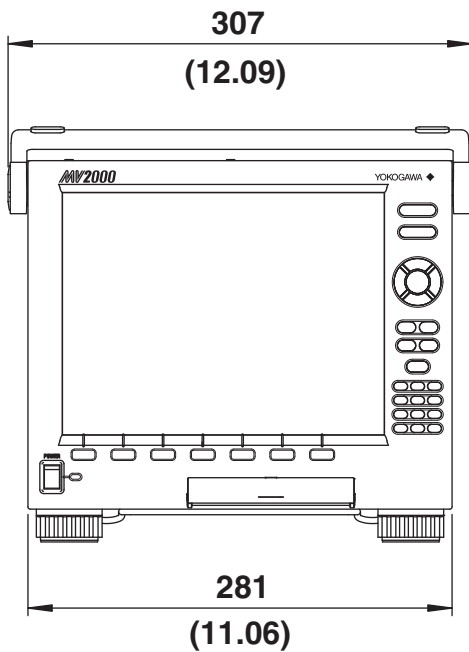
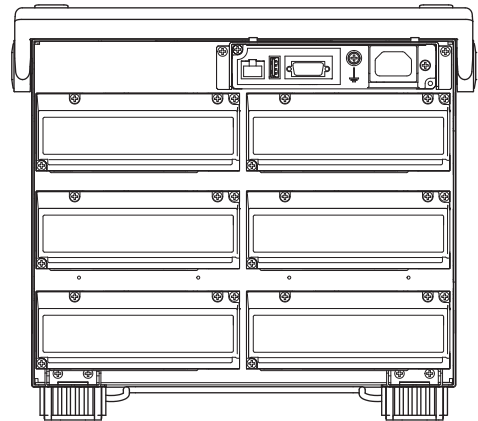
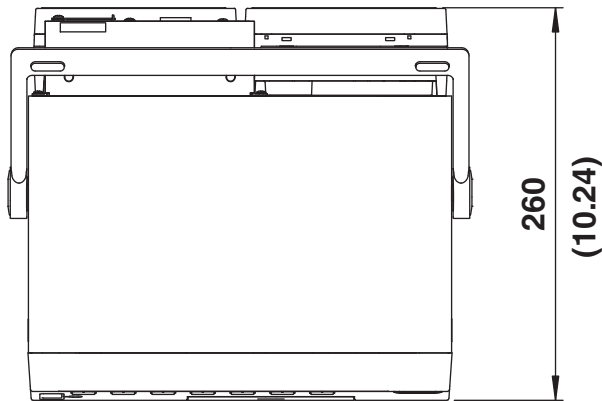
Drawings

MV2008, MV2010, MV2020
MV2030, MV2040, MV2048

MVAAdvanced™

Unit : mm
(approx. inch)

REAR VIEW

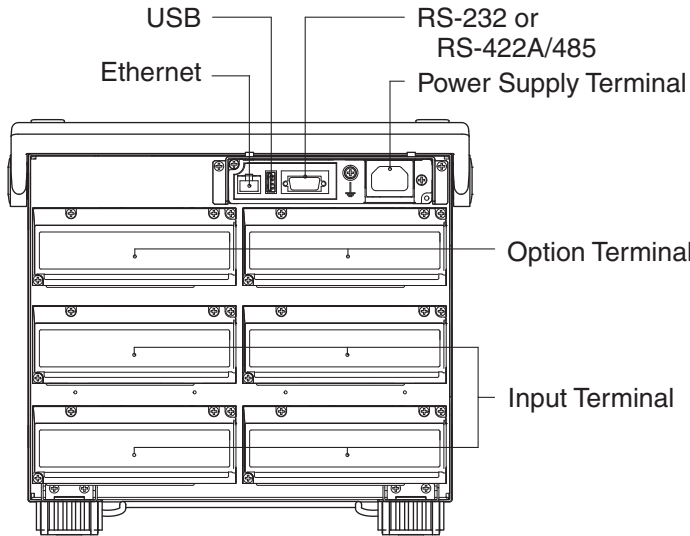


Approx Weight

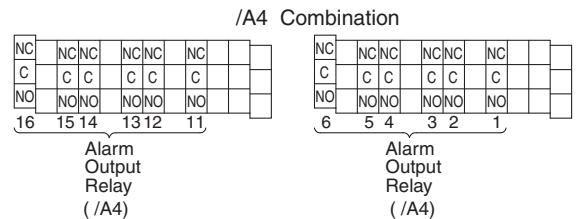
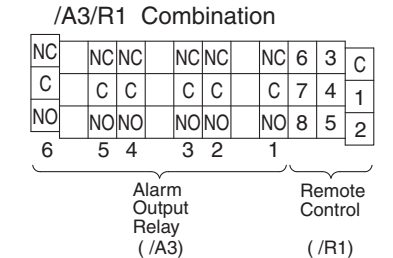
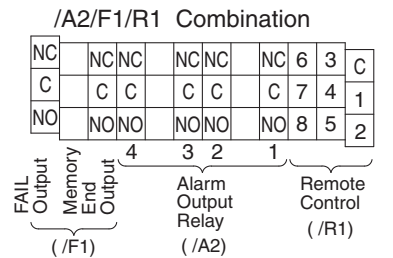
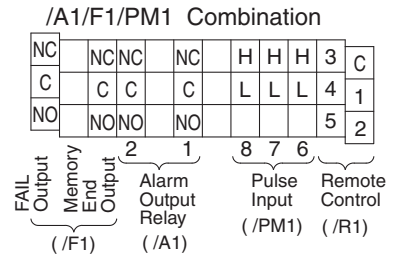
MV2010	: 5.2kg
MV2008, MV2020	: 5.3kg
MV2030	: 5.5kg
MV2040, MV2048	: 5.6kg

If not specified, the tolerance is $\pm 3\%$. However, in cases of less than 10mm, the tolerance is $\pm 0.3\text{mm}$.

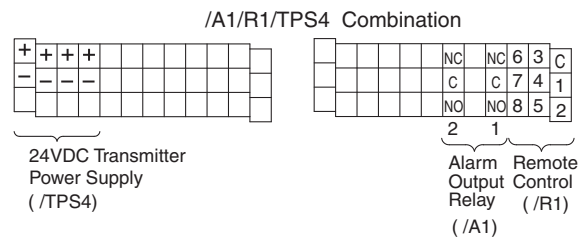
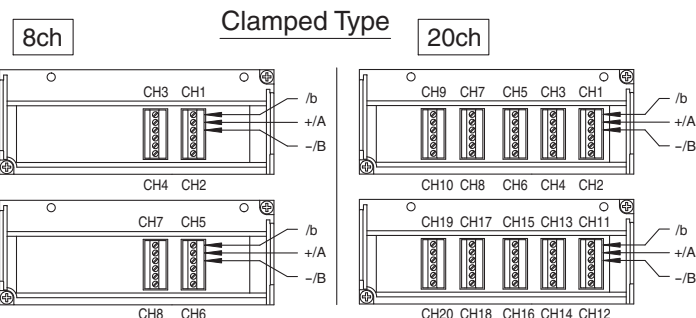
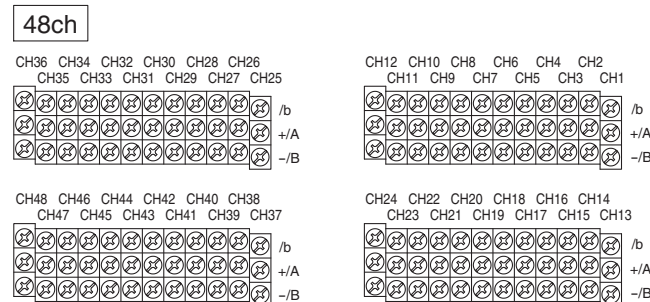
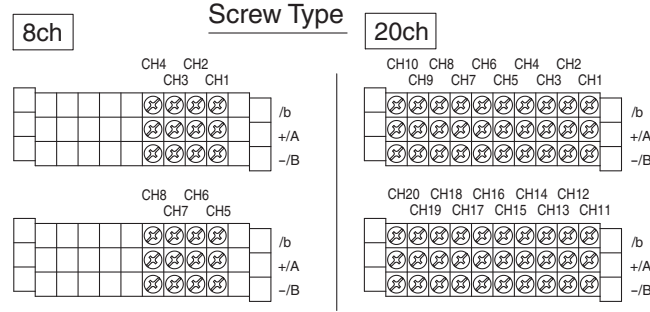
Terminal Arrangement



Option Terminals



Input Terminals

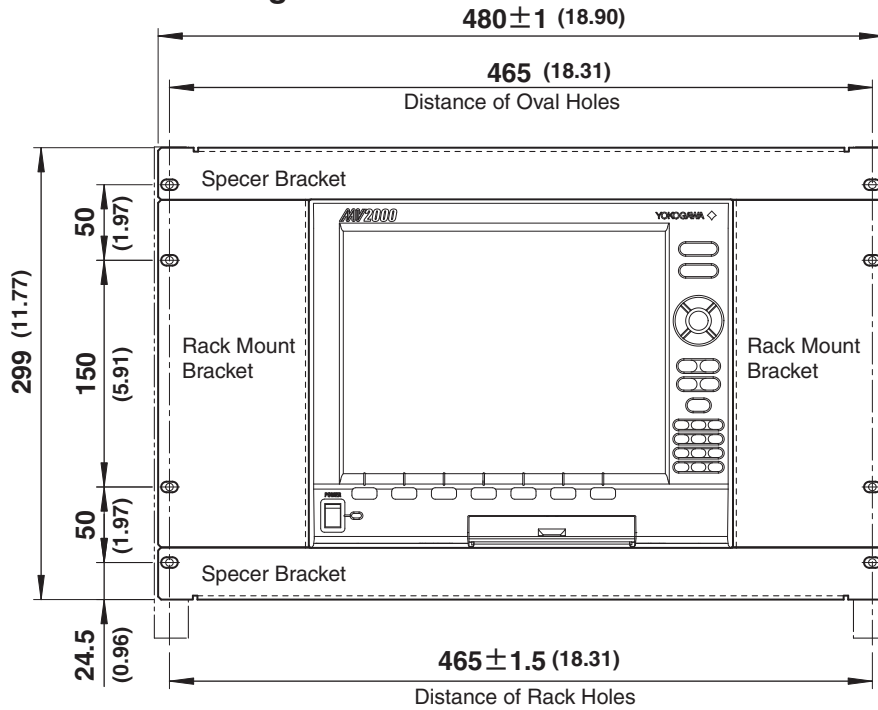


Drawings

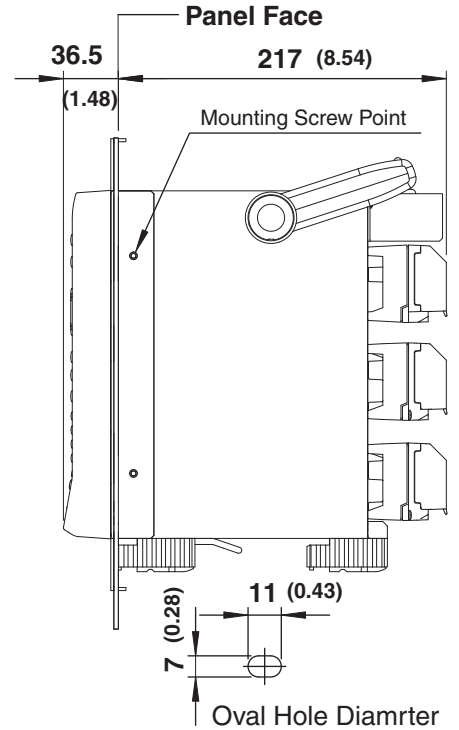
MV2008, MV2010, MV2020
MV2030, MV2040, MV2048

MVAAdvanced™

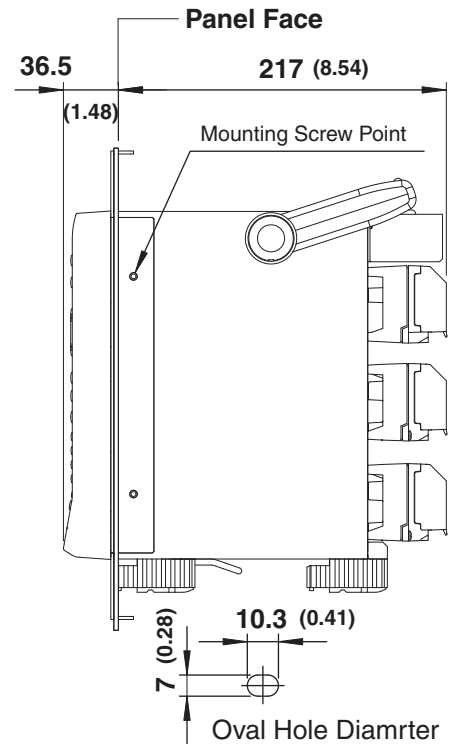
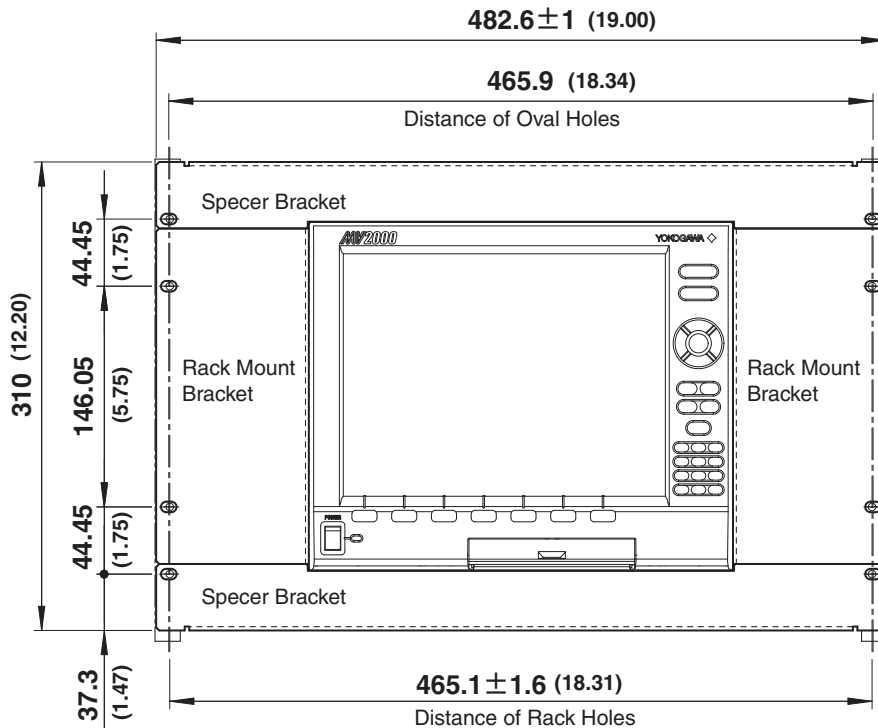
Rack Mounting for JIS



Unit : mm
(approx. inch)



Rack Mounting for EIA or ANSI



If not specified, the tolerance is ±3%. However, in cases of less than 10mm, the tolerance is ±0.3mm.